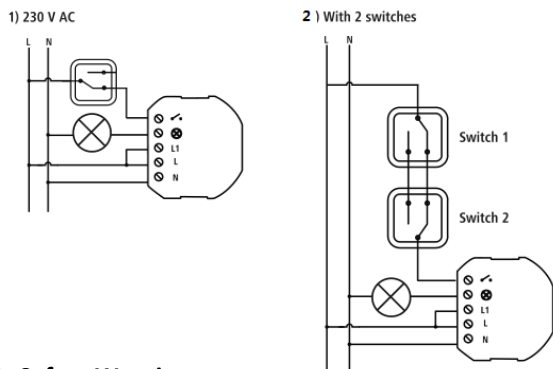


## Operating instruction for WiFi upgrade switch



### 1. Safety Warning

To avoid an electric shock from the device, please disconnect the mains voltage (switch off circuit breaker). Failure to observe the installation instructions can cause fire or other hazards.

Observe the permissible wires and wire cross-sections when connecting to the device terminals.

Pay careful attention to the wiring diagram!

**Note:** The switch is part of the building installation. The relevant standards and guidelines of the respective country are to be observed during planning and installation. The device may only be operated on a 230 V 50 Hz AC voltage supply. Work with the 230 V mains supply may only be carried out by Certified Electricians.

*The product is intended for indoor use only.*

Do not attempt to service or repair the product yourself. Leave any and all service work to qualified Electricians. Do not continue to operate the product if it becomes visibly damaged. Switch on and use only with the safety covers closed. Metal covers must not be used.

### 2. It's so simple:

- Just download the **CleverLife Home App** from the Apple app store or the Google Play store.
- Start the **CLEVERLIFE HOME APP**
- If you're using it for the first time, you'll have to register and create a new account. If you already have an account, log in using your login details.
- After installation of the WiFi switch (by a qualified electrician), the connected lamp flashes quickly and you will hear the relay click. If it flashes slowly or not at all, switch off and on again three times in succession using the connected light switch.
- Now click + in the upper-right corner of the app and select WiFi Switch.
- Confirm that the device flashes quickly.
- Now enter the name of your WiFi network and the password to confirm.
- Follow on-screen instructions



### Note: Power socket installation

After the WiFi switch has been added in the app as described above, it can be optionally installed behind a power socket. The power socket can then be conveniently switched on or off using the app or your voice.

Please note that when it is used behind a power socket, the maximum current is reduced to 10 A and power is reduced to a maximum of 2300W.

Once integrated, the app does not lose the WiFi switch even in the case of a power interruption.

### Note: Pairing restart

To start pairing mode again, the WiFi upgrade switch first has to be connected to a switch (for example, wall switch). Now turn the manual switch ON and OFF three times quickly. It is then back in pairing mode.

### 3. Warranty Disclaimer

CLEVER LIFE assumes no liability and provides no warranty for damage resulting from improper installation/ mounting, improper use of the product or from failure to observe the operating instructions and safety notes.

### 4. Declaration of Conformity

Hereby, CLEVER LIFE declares that the radio equipment type CSW201T is in compliance with Directive 2014/53/EU. This satisfies the requirements for ERAC and EESS compliance and such is entitled to display the RCM Compliance Symbol



### 5. Technical Data

Model: CSW201T

Input and output voltage: 230 V~ /50 Hz

Maximum connection power: 2300 W

Frequency band: 2.4 GHz

Maximum radio-frequency power transmitted: 60 mW

### Note:

Operating instructions are available at our website or through the 'contact us' link at : [www.cleverlife.com.au](http://www.cleverlife.com.au)

Life's better when its C L E V E R

